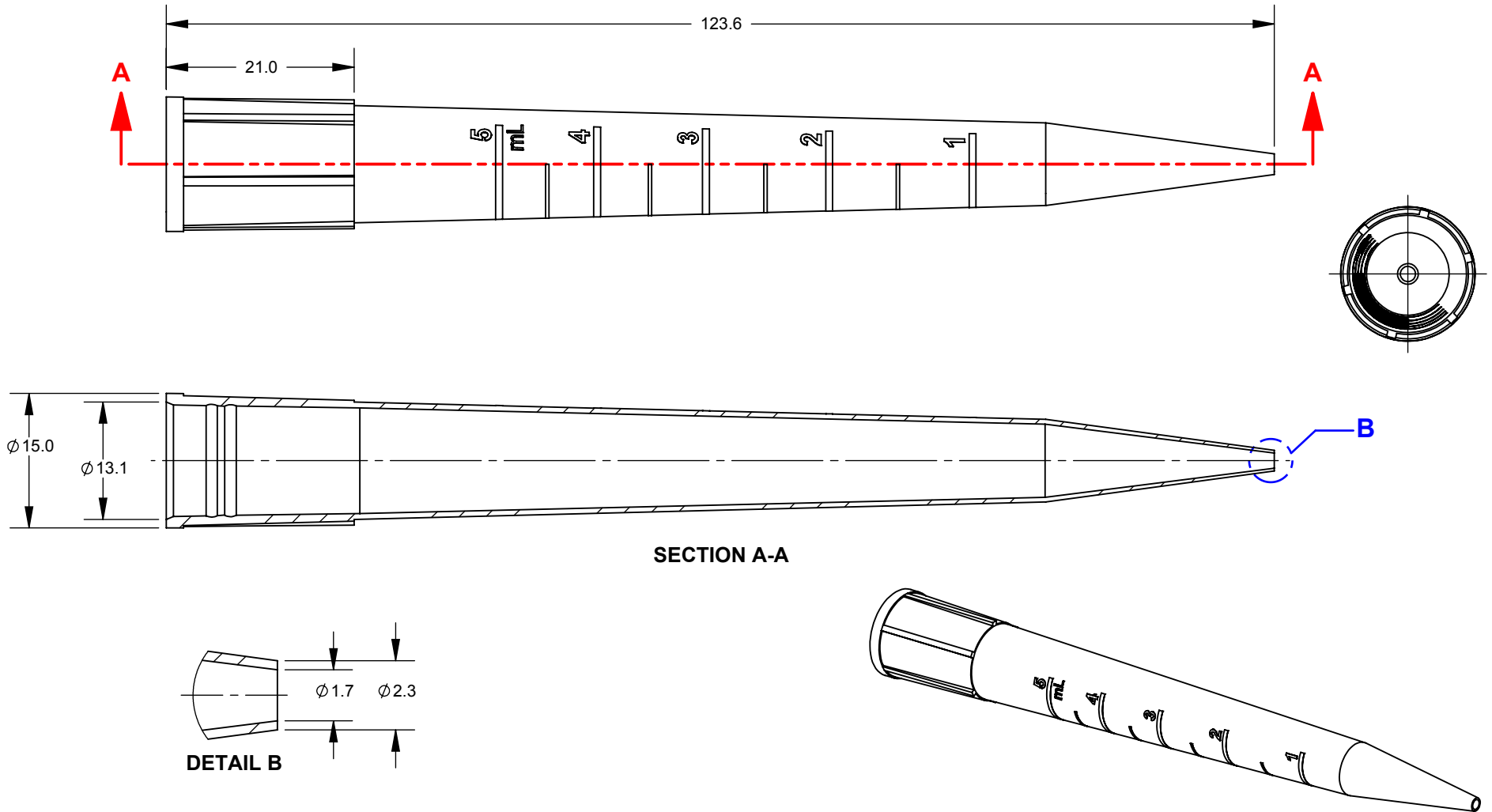




westburg
LIFE SCIENCES



SECTION A-A

DETAIL B

WB 5180 & WB 5185 (Sterile) & WB 5580 5mL Pipette Tip Gilson-Fit

Arnhemseweg 87
3832 GK Leusden
The Netherlands

P.O. Box 214
3830 AE Leusden
The Netherlands

+31 33 495 0094
info@westburg.eu
www.westburg.eu

IBAN NL78RABO0168460297
NL005049532B01
KvK 31024246

